

Go-Around-Joe

Installation Guide

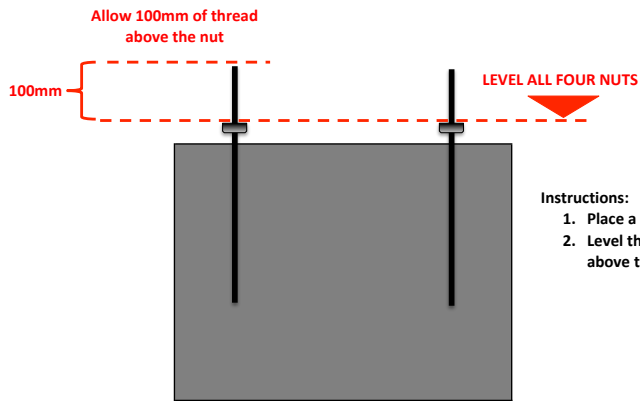
V2.3.1



It is STRONGLY suggested to watch the Go-Around-Joe Assembly and Installation INSTRUCTION VIDEO before commencing with installing the Go-Around-Joe

Youtube Link - [click HERE](#)

Green	2	Long Uprights for Main Panels
Green X	1	Short Upright for Main Panels
Yellow	2	Cross Members for Main Panels
Pink	2	Cross Members for Front Panels
Blue	1	Main Frame



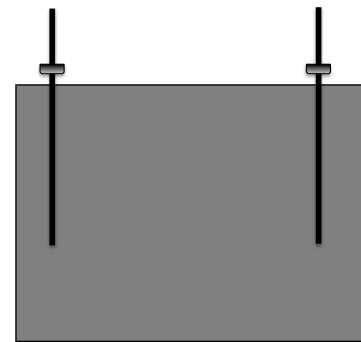
Front View

Step # 1

Placement of Levelling Nuts

Instructions:

1. Place a levelling nut on each of the four holding down bolts
2. Level the four levelling nuts, allowing for roughly 100mm of thread above the nuts



Side View

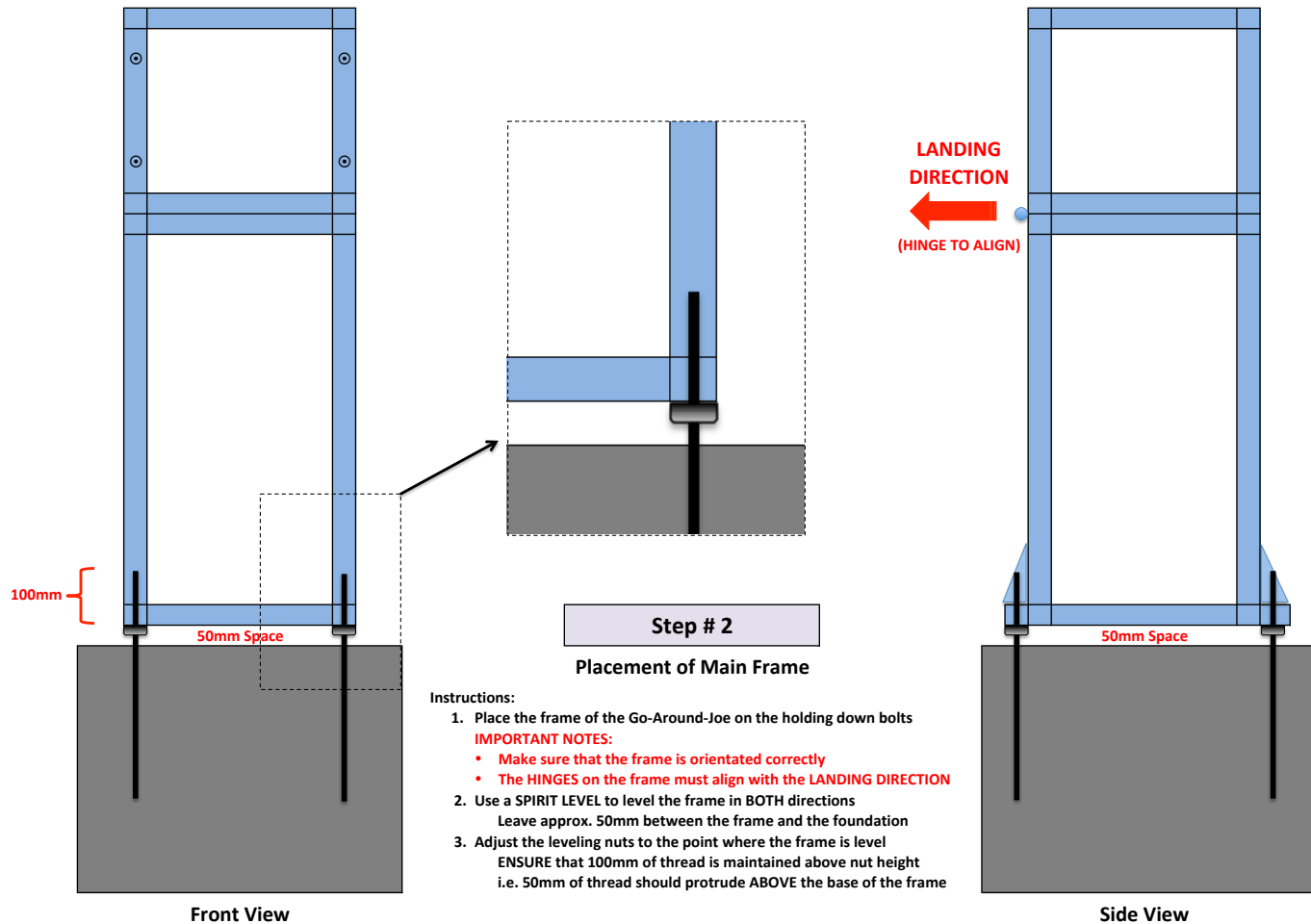
Go-Around-Joe

Installation Guide

V2.3.1



Green	2	Long Uprights for Main Panels
Green X	1	Short Upright for Main Panels
Yellow	2	Cross Members for Main Panels
Pink	2	Cross Members for Front Panels
Blue	1	Main Frame



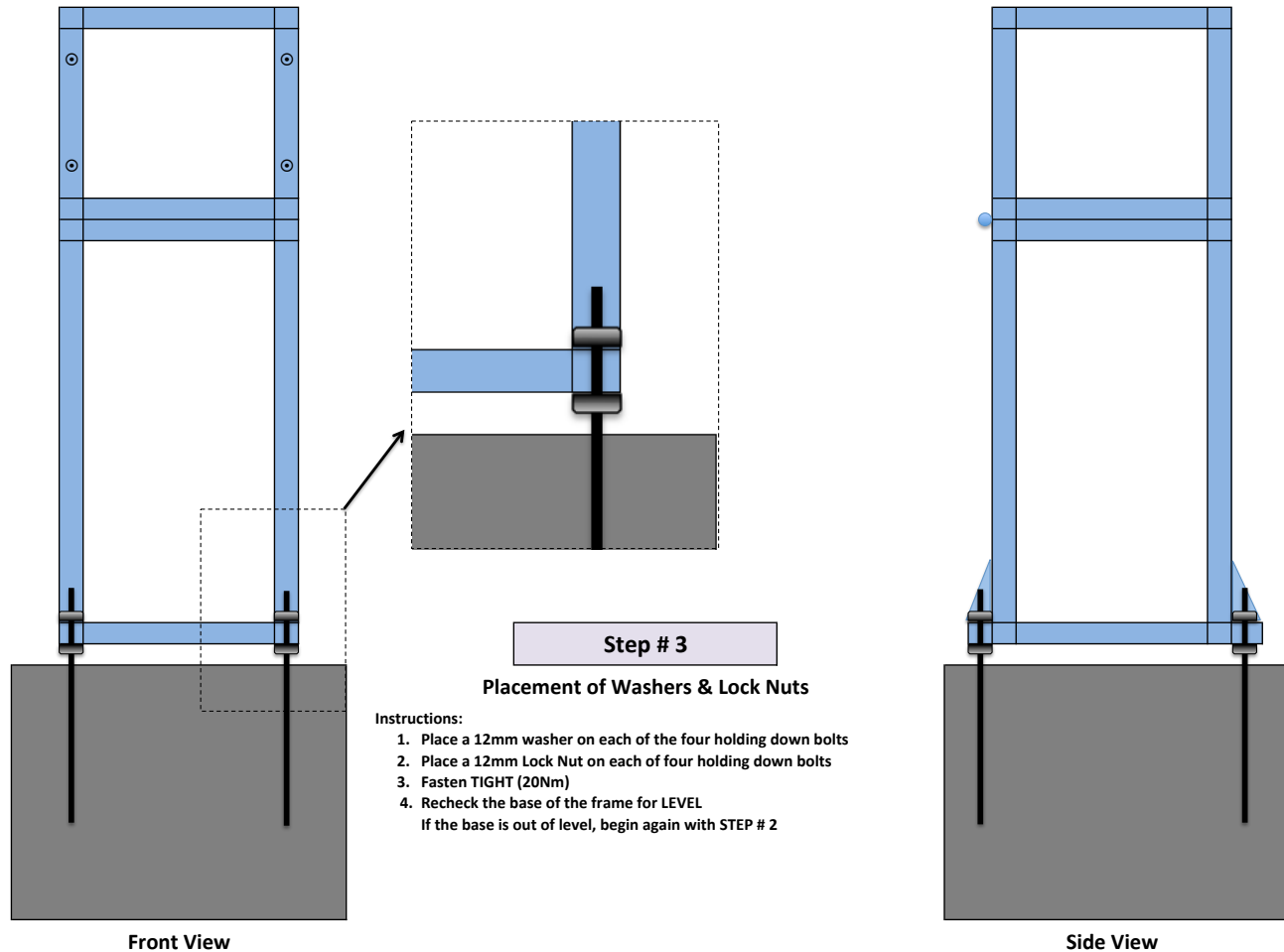
Go-Around-Joe

Installation Guide

V2.3.1



Green	2	Long Uprights for Main Panels
Green X	1	Short Upright for Main Panels
Yellow	2	Cross Members for Main Panels
Pink	2	Cross Members for Front Panels
Blue	1	Main Frame



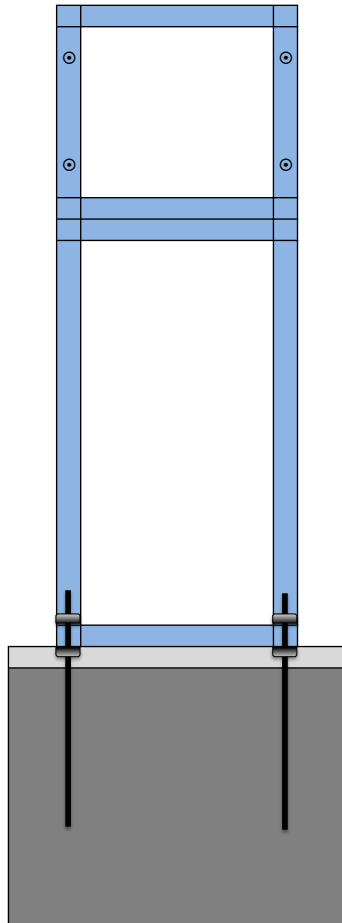
Go-Around-Joe

Installation Guide

V2.3.1



Green	2	Long Uprights for Main Panels
Green X	1	Short Upright for Main Panels
Yellow	2	Cross Members for Main Panels
Pink	2	Cross Members for Front Panels
Blue	1	Main Frame



Front View

Step # 4

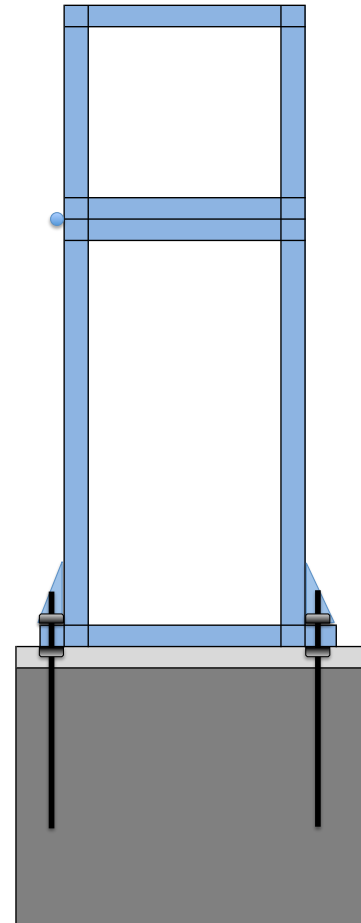
Grouting the Base

Instructions:

1. Place a strong cementitious GROUT MIX to fill the gap between the foundation and the Go-Around-Joe frame

IMPORTANT NOTE:

- Add water to the grout mix to allow for workability but do not add too much water, as this weakens the strength of the mix
- Do NOT leave recesses in the surface of the grout, which could result in rain water pooling - shape the top surface of the grout to allow for rain water runoff



Side View

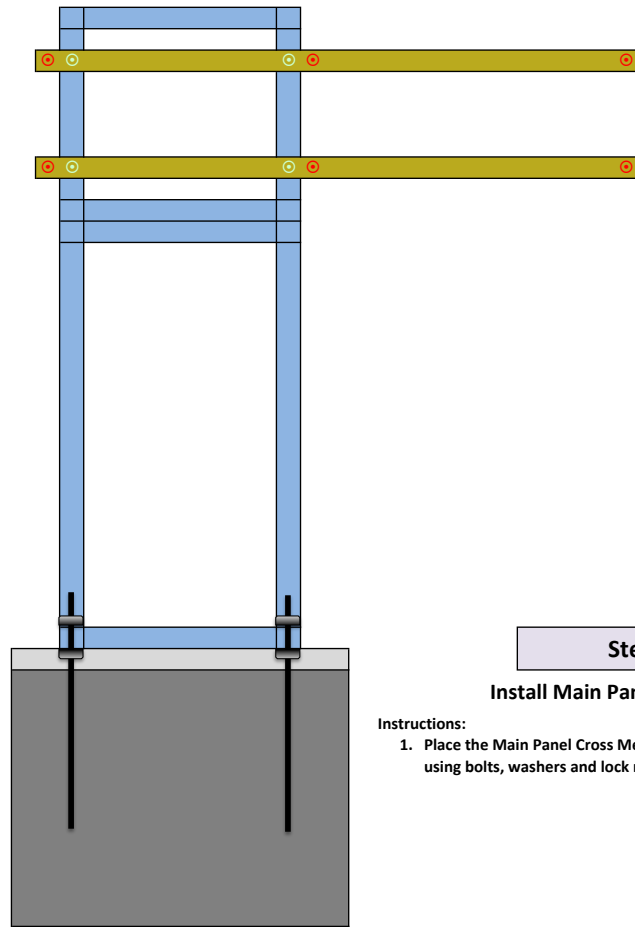
Go-Around-Joe

Installation Guide

V2.3.1



Green	2	Long Uprights for Main Panels
Green X	1	Short Upright for Main Panels
Yellow	2	Cross Members for Main Panels
Pink	2	Cross Members for Front Panels
Blue	1	Main Frame




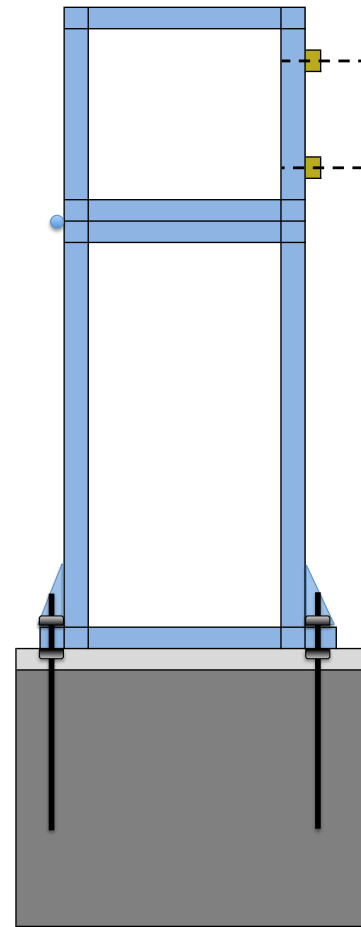
Front View

Step # 5

Install Main Panel Cross Members

Instructions:

1. Place the Main Panel Cross Members as indicated and bolt in place using bolts, washers and lock nuts (type X) 



Side View

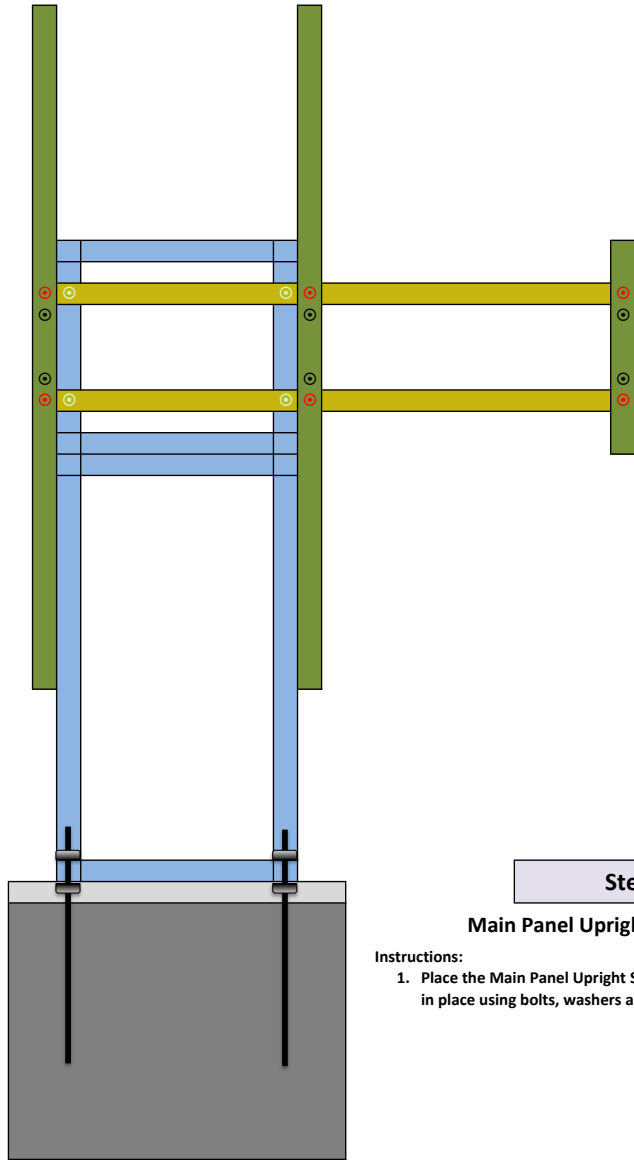
Go-Around-Joe

Installation Guide

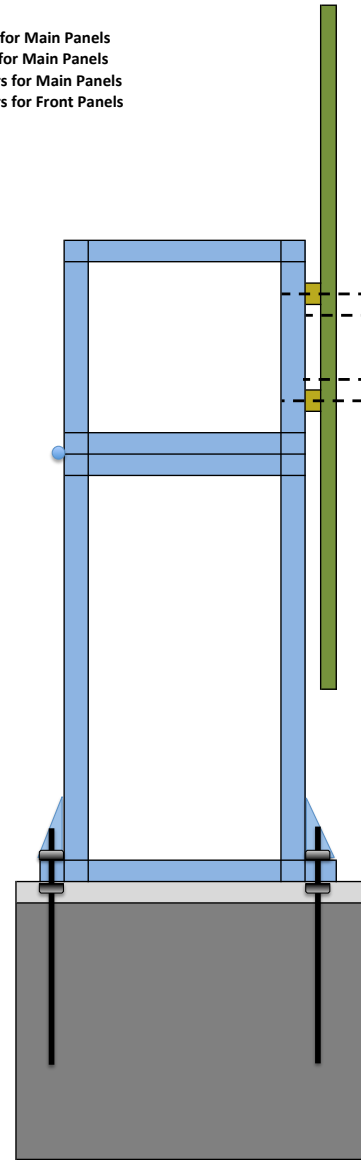
V2.3.1



Green	2	Long Uprights for Main Panels
Green X	1	Short Upright for Main Panels
Yellow	2	Cross Members for Main Panels
Pink	2	Cross Members for Front Panels
Blue	1	Main Frame



Front View




Side View

Step # 6

Main Panel Upright Support Members

Instructions:

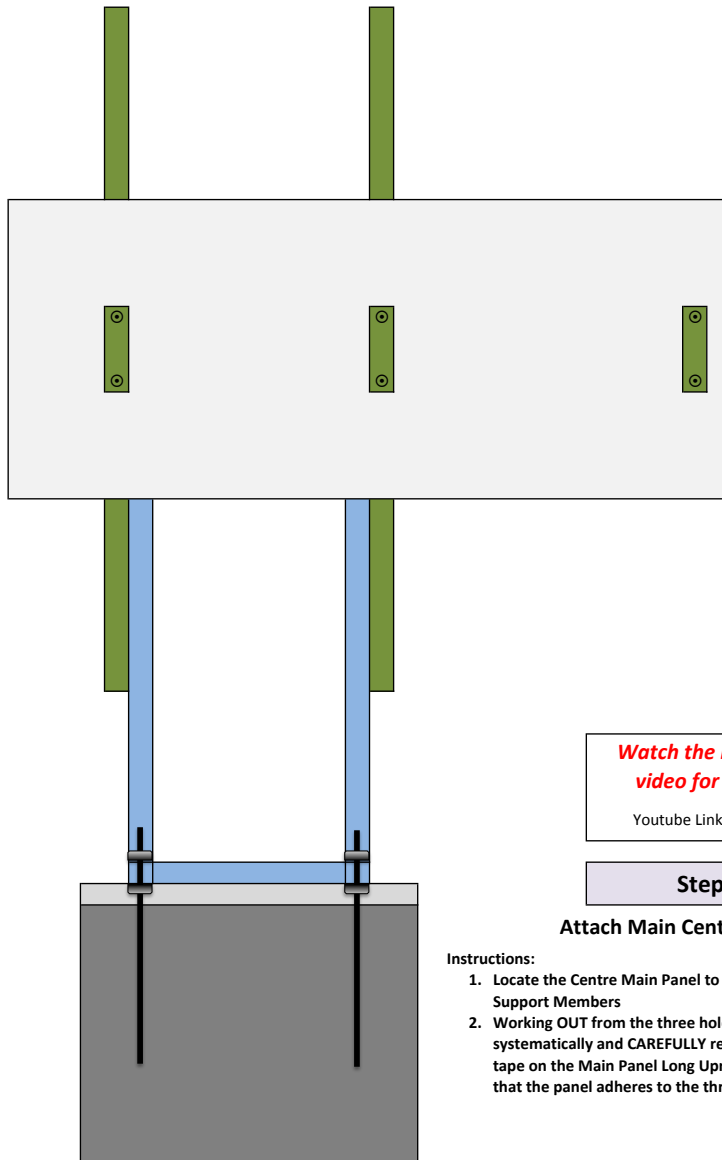
1. Place the Main Panel Upright Support Members as indicated and bolt in place using bolts, washers and lock nuts (type Y) 

Go-Around-Joe

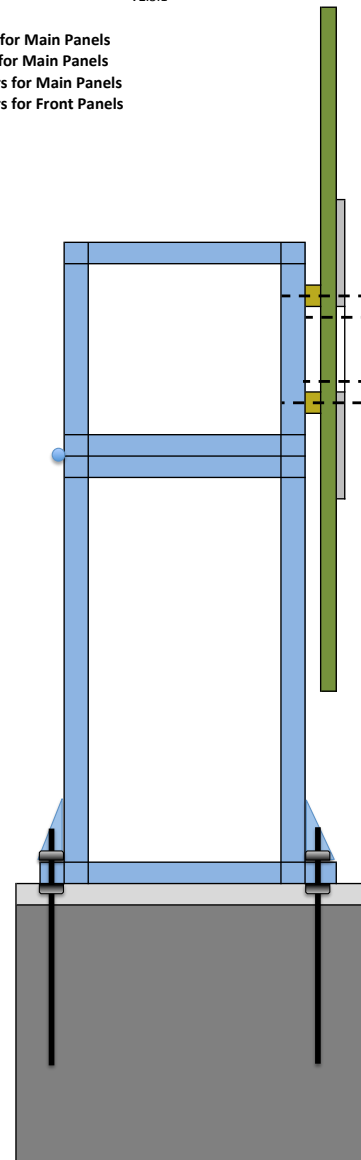
Installation Guide

V2.3.1

Green	2	Long Uprights for Main Panels
Green X	1	Short Upright for Main Panels
Yellow	2	Cross Members for Main Panels
Pink	2	Cross Members for Front Panels
Blue	1	Main Frame



Front View



Side View

Watch the instruction video for this step

Youtube Link - [click HERE](#)

Step # 7

Attach Main Centre Panel (White)

Instructions:

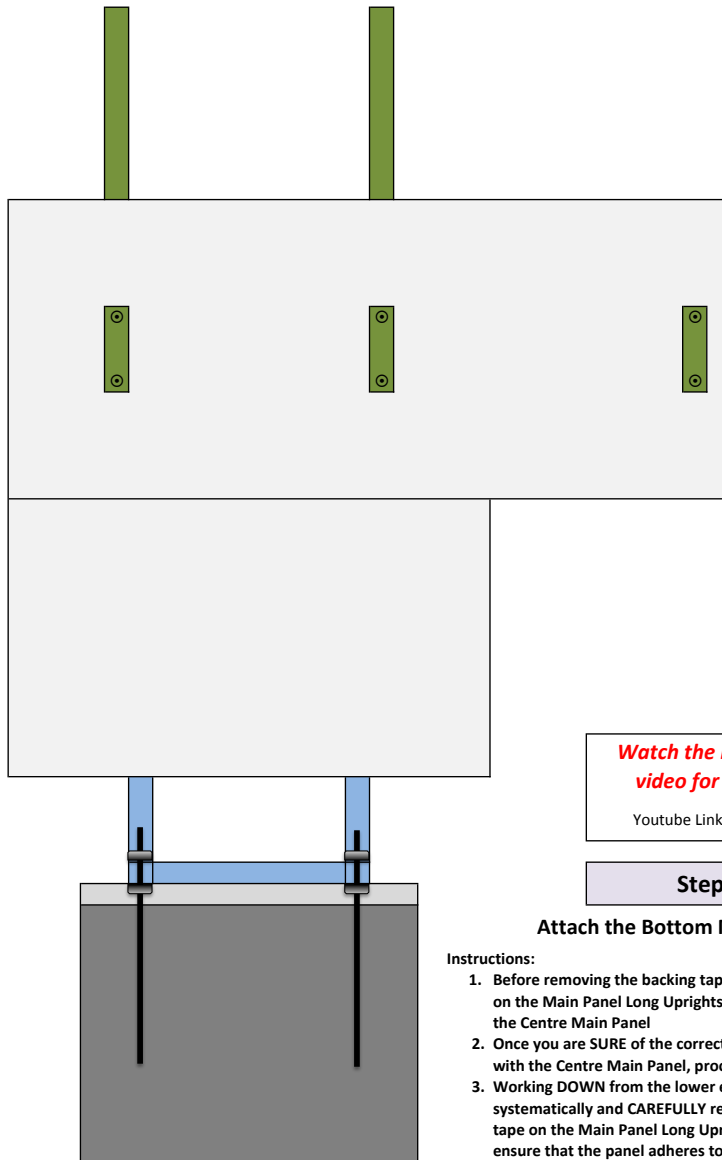
1. Locate the Centre Main Panel to align with holes for the Front Panel Support Members
2. Working OUT from the three holes, first upwards and then downwards, systematically and CAREFULLY remove the backing from the adhesive tape on the Main Panel Long Uprights and apply pressure to ensure that the panel adheres to the three uprights

Go-Around-Joe

Installation Guide

V2.3.1

Green	2	Long Uprights for Main Panels
Green X	1	Short Upright for Main Panels
Yellow	2	Cross Members for Main Panels
Pink	2	Cross Members for Front Panels
Blue	1	Main Frame



Front View

Watch the instruction video for this step

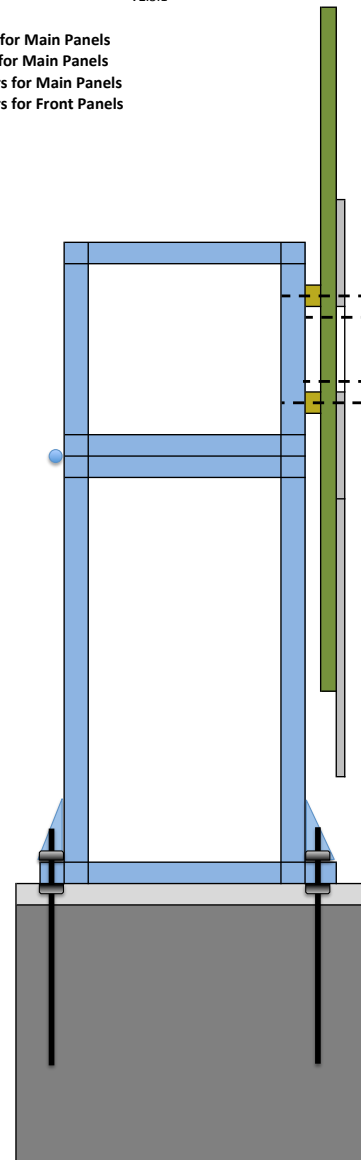
Youtube Link - [click HERE](#)

Step # 8

Attach the Bottom Main Panel (White)

Instructions:

1. Before removing the backing tape from the double-sided adhesive tape on the Main Panel Long Uprights, ABUTT and ALIGN the panel with the Centre Main Panel
2. Once you are SURE of the correct alignment of the Lower Main Panel with the Centre Main Panel, proceed with caution to step 3 below
3. Working DOWN from the lower edge of the Centre Main Panel, systematically and CAREFULLY remove the backing from the adhesive tape on the Main Panel Long Uprights and apply pressure to ensure that the panel adheres to the two uprights



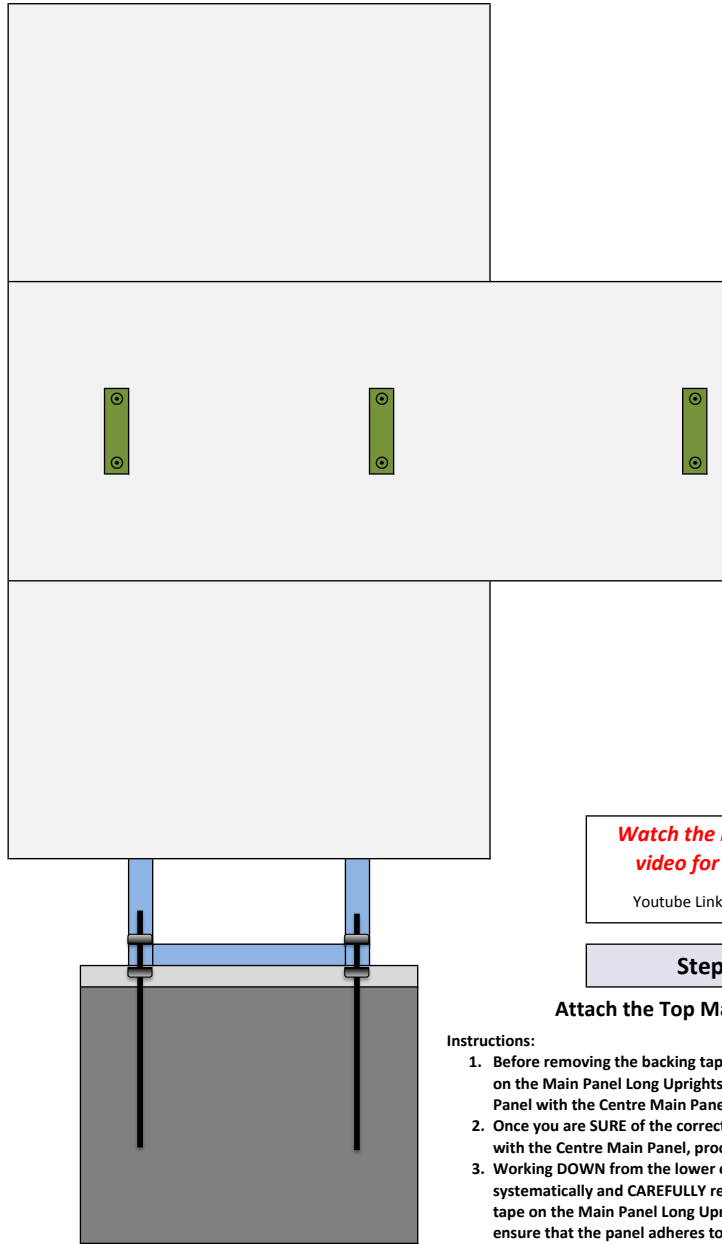
Side View

Go-Around-Joe

Installation Guide

V2.3.1

Green	2	Long Uprights for Main Panels
Green X	1	Short Upright for Main Panels
Yellow	2	Cross Members for Main Panels
Pink	2	Cross Members for Front Panels
Blue	1	Main Frame



Front View

Watch the instruction video for this step

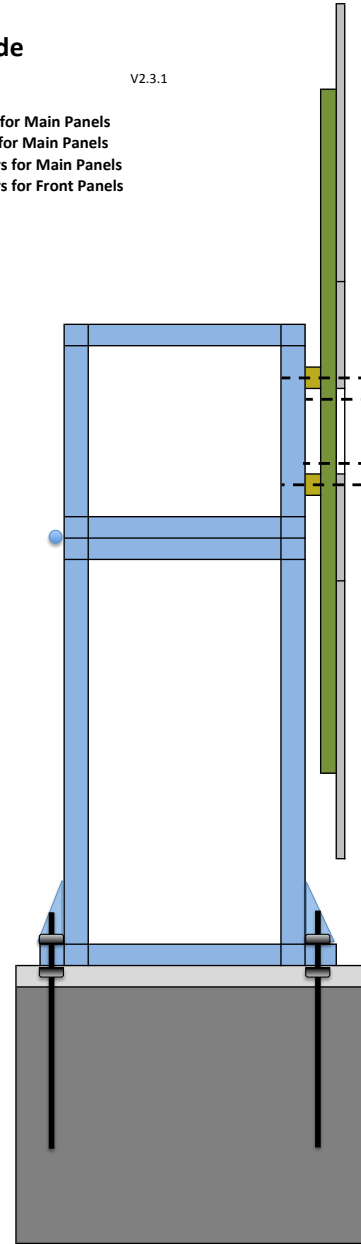
Youtube Link - [click HERE](#)

Step # 9

Attach the Top Main Panel (White)

Instructions:

1. Before removing the backing tape from the double-sided adhesive tape on the Main Panel Long Uprights, ABUTT and ALIGN the TOP Centre Main Panel with the Centre Main Panel
2. Once you are SURE of the correct alignment of the Top Main Panel with the Centre Main Panel, proceed with caution to step 3 below
3. Working DOWN from the lower edge of the Centre Main Panel, systematically and CAREFULLY remove the backing from the adhesive tape on the Main Panel Long Uprights and apply pressure to ensure that the panel adheres to the two uprights



Side View

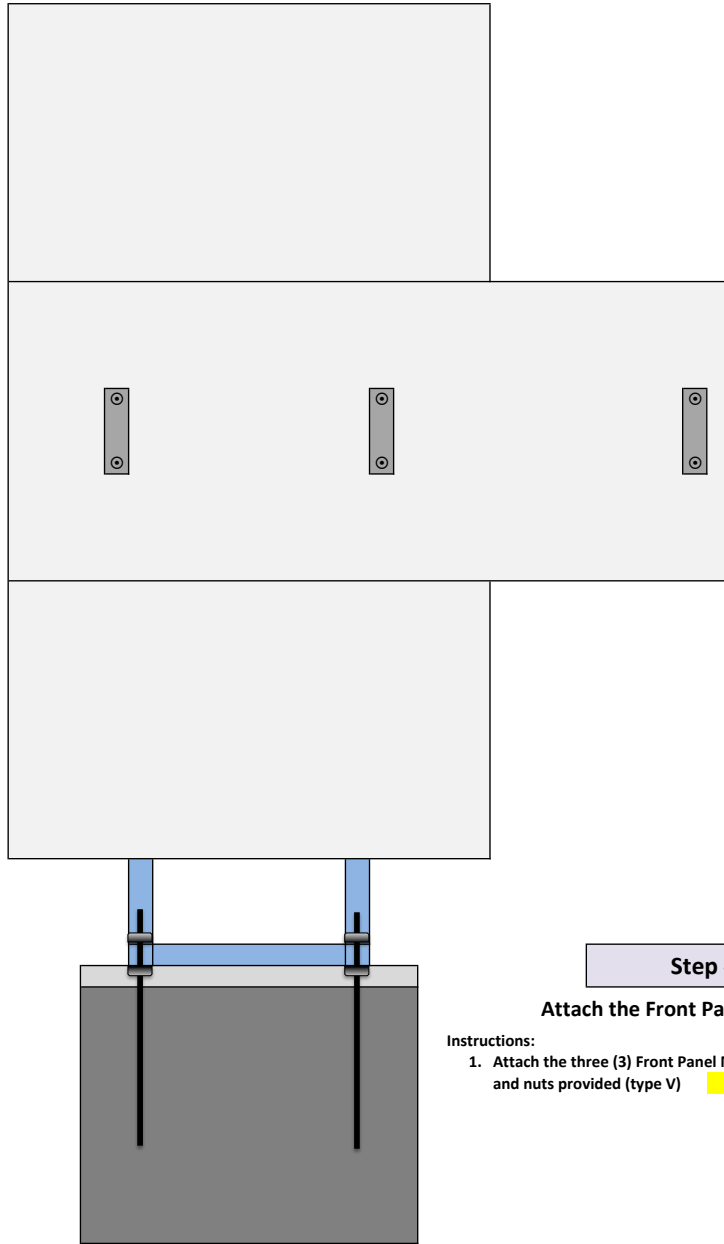
Go-Around-Joe



Installation Guide

V2.3.1

Green	2	Long Uprights for Main Panels
Green X	1	Short Upright for Main Panels
Yellow	2	Cross Members for Main Panels
Pink	2	Cross Members for Front Panels
Blue	1	Main Frame



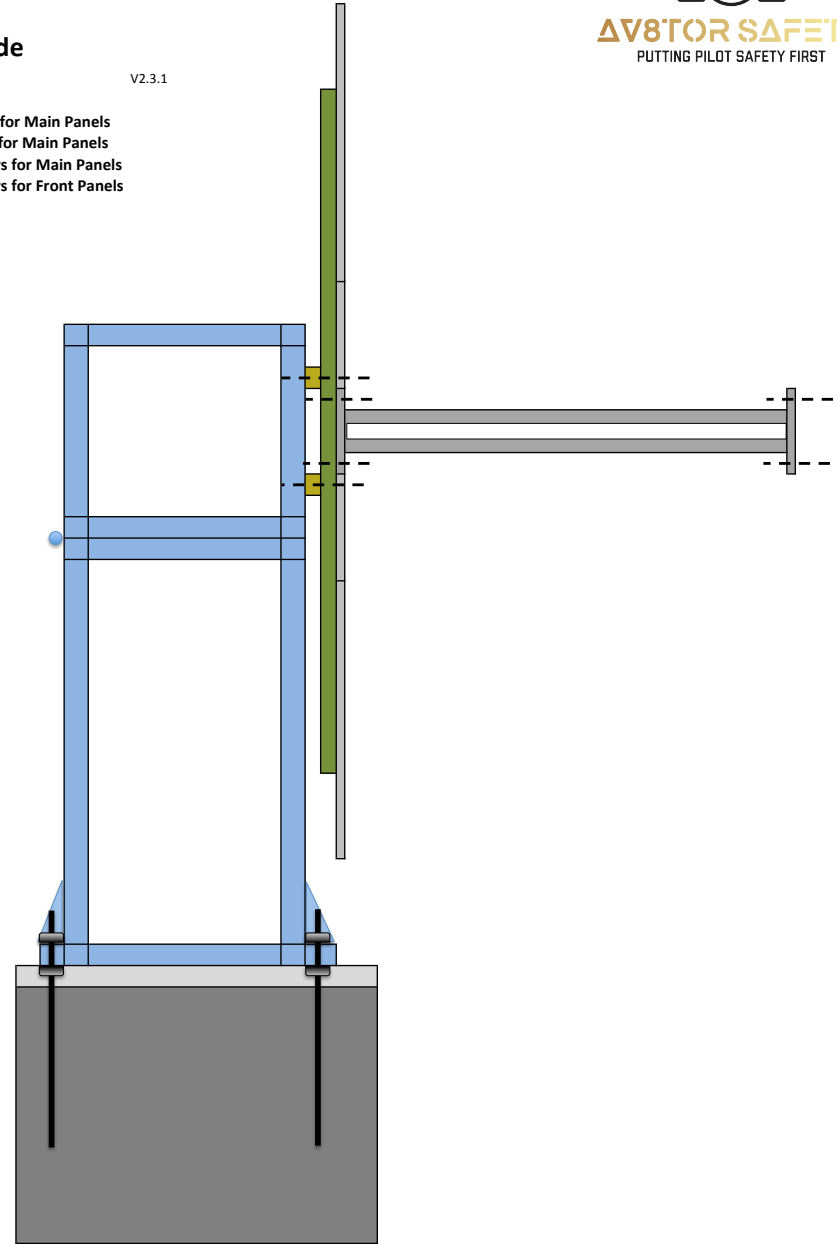
Front View

Step # 10

Attach the Front Panel Main Supports

Instructions:

1. Attach the three (3) Front Panel Main Supports using the bolts, washes and nuts provided (type V)



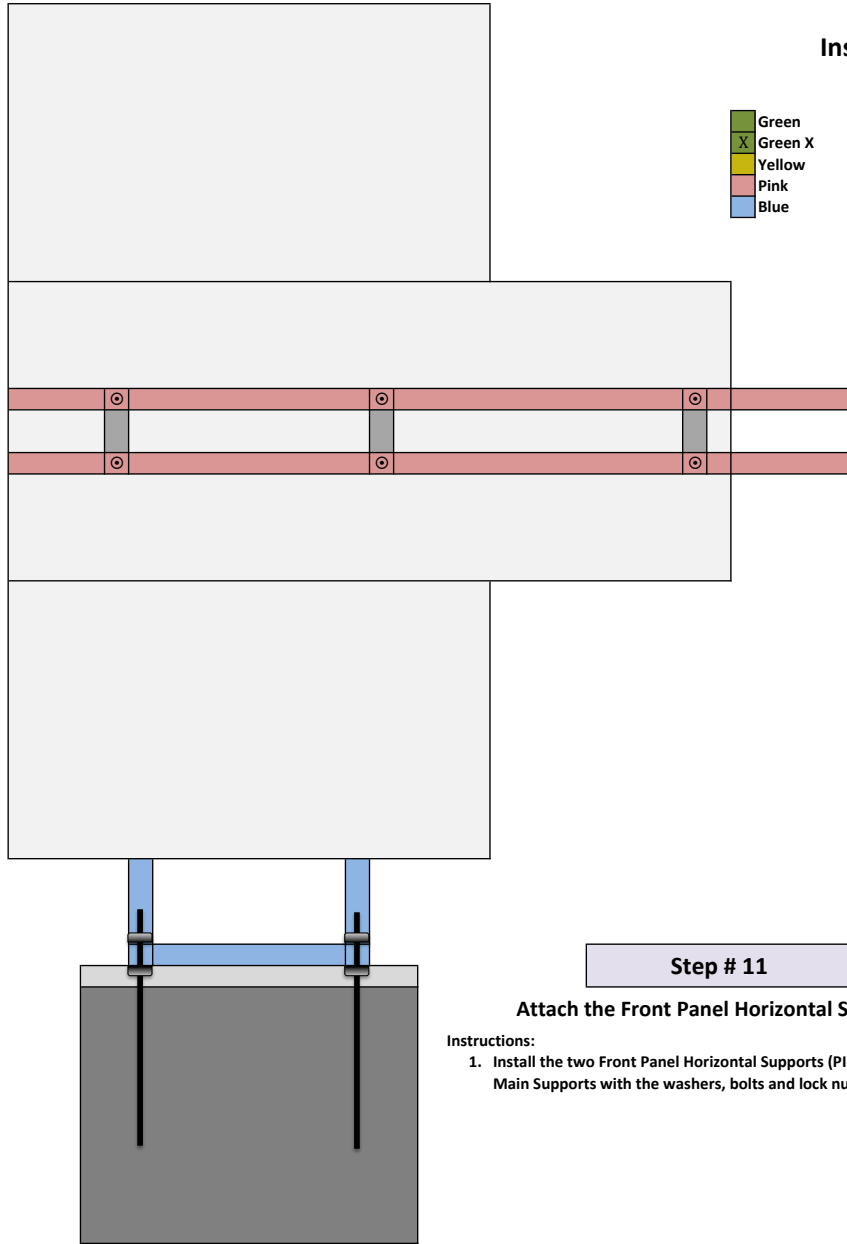
Side View

Go-Around-Joe

Installation Guide

V2.3.1

Green	2	Long Uprights for Main Panels
Green X	1	Short Upright for Main Panels
Yellow	2	Cross Members for Main Panels
Pink	2	Cross Members for Front Panels
Blue	1	Main Frame



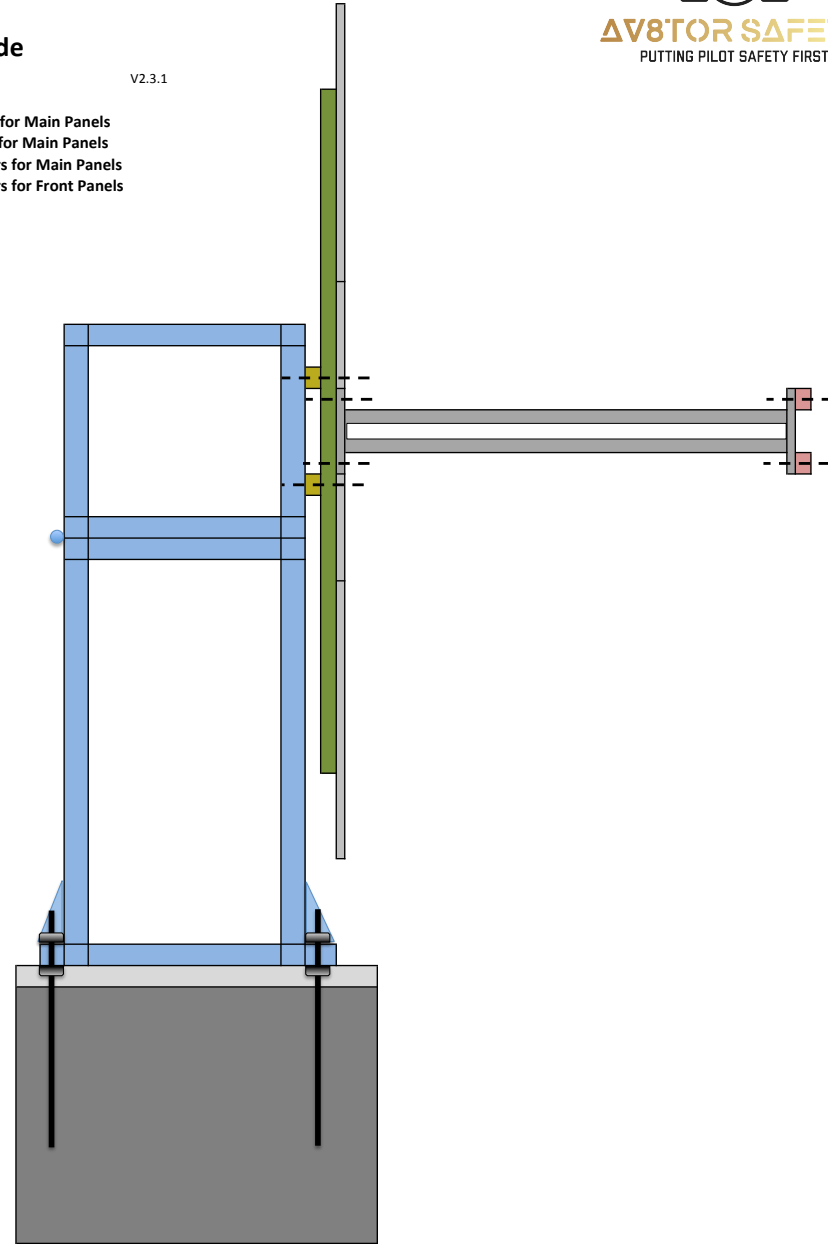
Front View

Step # 11

Attach the Front Panel Horizontal Supports

Instructions:

1. Install the two Front Panel Horizontal Supports (PINK) to the Front Panel Main Supports with the washers, bolts and lock nuts provided (type Z).



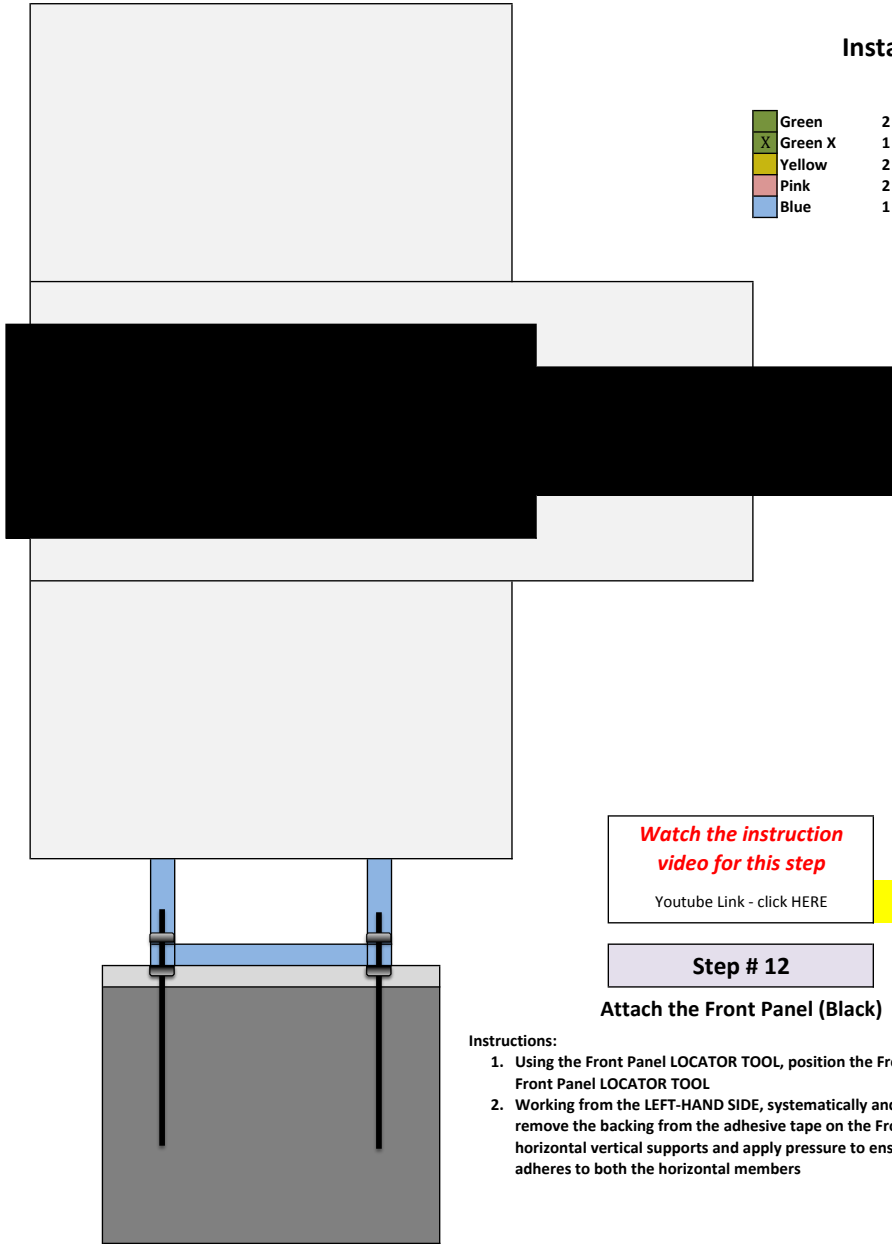
Side View

Go-Around-Joe

Installation Guide

V2.3.1

	Green	2	Long Uprights for Main Panels
	Green X	1	Short Upright for Main Panels
	Yellow	2	Cross Members for Main Panels
	Pink	2	Cross Members for Front Panels
	Blue	1	Main Frame



Front View

Watch the instruction video for this step

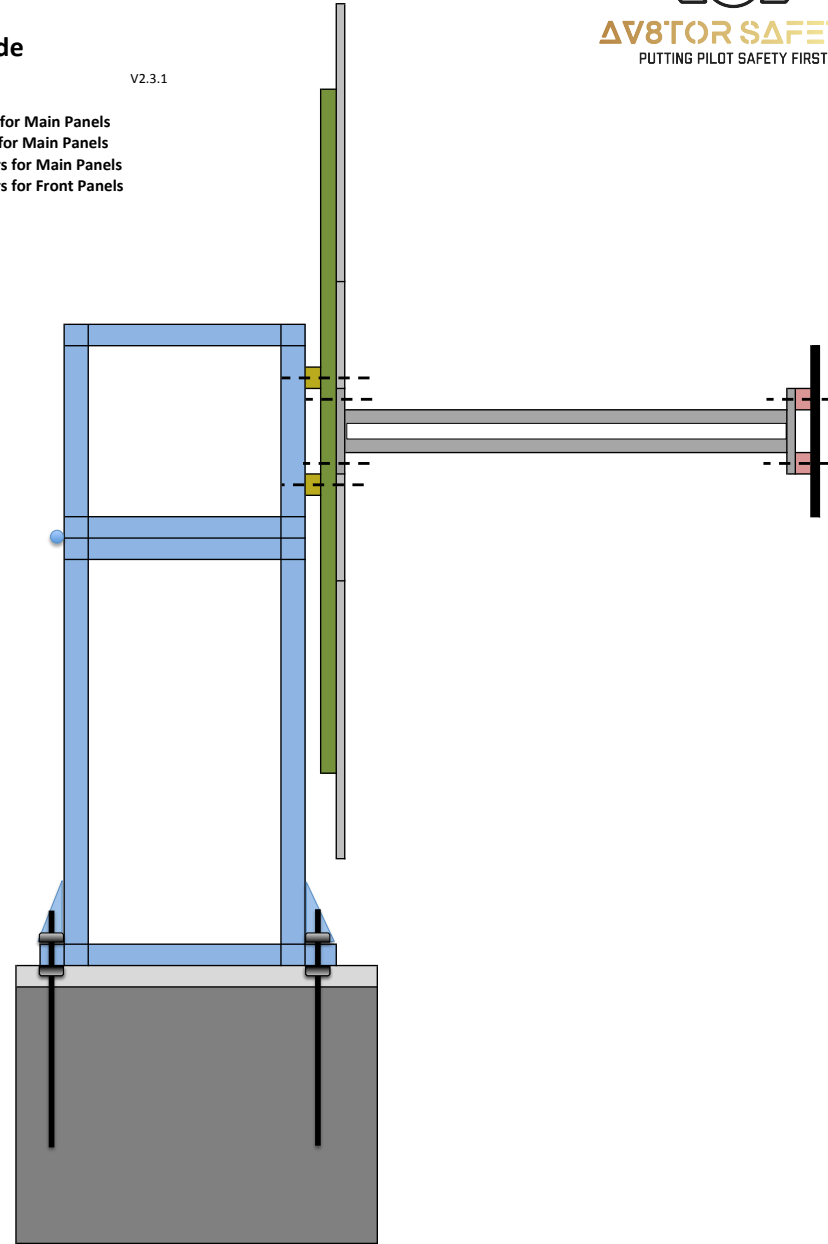
Youtube Link - [click HERE](#)

Step # 12

Attach the Front Panel (Black)

Instructions:

1. Using the Front Panel LOCATOR TOOL, position the Front Panel on the Front Panel LOCATOR TOOL
2. Working from the LEFT-HAND SIDE, systematically and CAREFULLY remove the backing from the adhesive tape on the Front Panel horizontal vertical supports and apply pressure to ensure the panel adheres to both the horizontal members



Side View